

## Column Type



### IN-ZS03 – Column type load cell

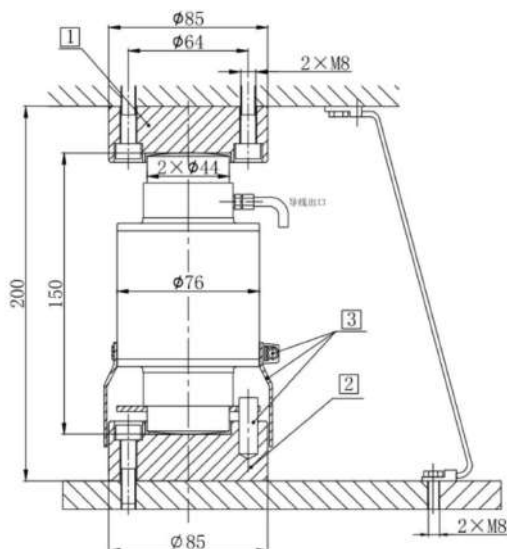
The column-type load cell is used for the manufacturing and modernization of truck scales, rail scales, heavy-duty hopper scales, as well as for testing stands and measurement control equipment. Due to its high metrological characteristics, this type of load cell is widely used in various industrial weighing systems, including harsh environments with exposure to alkaline and acidic substances.

The IN-ZS03 load cell can be made from alloy or stainless steel, with mandatory laser welding, ensuring an IP68 protection rating (full dust and moisture resistance). Additionally, the load cell is equipped with an anti-rotation system, which extends its service life.

### Specification

Rated load (E <sub>max</sub> )	10, 20, 30, 40, 50t	Insulation resistance	≥5000MΩ
Sensitivity	2.0±0.1 % mV/V	Operating Temp Range	(-20 ~ +70)°C
Combined error	±0.015 % F.S	Safe load limit	150 % F.S
Creep/30min	±0.02 % F.S/30min	Ultimate overload	200 % F.S
Zero balance	±1 % F.S	Recommend excitation	5 ~ 15V (DC or AC)
TCO	±0.02 % F.S/10°C	Max excitation	15V (DC or AC)
TC SPAN	±0.02 % F.S/10°C	Protection Class	IP68
Input resistance	700±10Ω/775±10Ω	Material	Alloy steel/Stainless steel
Output resistance	702±2Ω	Cable Length=L:8m(10t), 10m(15t), 12m(20,25t), 16m(30t), 18m(40t)	Diameter: ø6mm

### Main Dimensions



- 1 CTA/ZOU B1
- 2 CTA/ZOU2 B2
- 3 Dowel pin 10X30(rotation stop) flexible tube and tube clip enclosed in the packing of the load cell

