

Compression Type

HNH01 – compression spoke-type load cell



The HNH01 is a load cell of the compression spoke (membrane) type, designed for use in silo, truck, and rail scales, as well as in various batching and weighing systems where conventional load cells cannot be installed due to limited mounting space.

It is available in either nickel-plated alloy steel or stainless steel, depending on the application. The sensor is hermetically sealed using laser welding and offers a protection class of IP68, ensuring full resistance to dust and moisture.

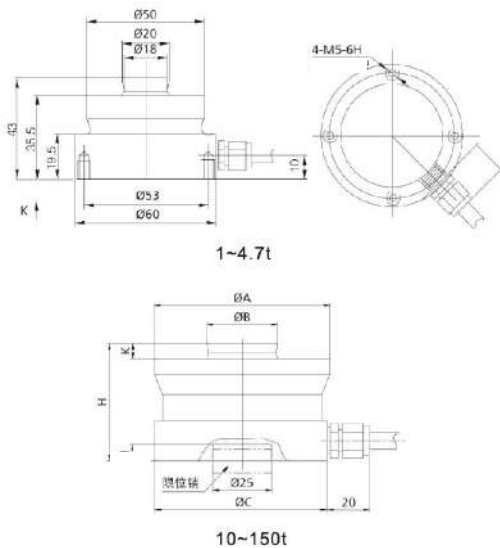
Thanks to its compact dimensions and low profile, the HNH01 allows for fast, simple, and secure installation. Its high metrological performance ensures long-term stability and accuracy in industrial weighing applications.

The HNH01 is especially well-suited for harsh environments, including exposure to aggressive media such as alkaline or acidic substances, as commonly found in the food, chemical, and processing industries.

Specification

Rated load (E _{max})	0.25~2.5t, 3~5t, 7.5~10t	Insulation resistance	≥5000MΩ
Sensitivity	3.0±0.006 % mV/V	Operating Temp Range	(-30 ~ +70)°C
Combined error	±0.02 % F.S; ±0.03 % F.S	Safe load limit	150 % F.S
Creep/30min	±0.02 % F.S/30min	Ultimate overload	180 % F.S
Zero balance	±1 % F.S	Recommend excitation	10 ~ 12V DC
TCO	±0.02 % F.S/10°C	Max excitation	15V DC
TC SPAN	±0.02 % F.S/10°C	Protection Class	IP67 (0.25~0.75t); IP68 (1~10t)
Input resistance	400±20Ω	Material	Alloy steel Stainless steel
Output resistance	352±3Ω	Cable	Length: 5m Diameter: ø5mm

Main Dimensions



(t) Rated load	A	B	C	H	J	K
10~22	75	30	75	50	7	6.5
33	95	40	95	65	7	10
47	130	60	130	75	7	14
68	130	60	130	85	7	14
100	150	70	150	90	7	16
150	150	70	150	100	7	16

