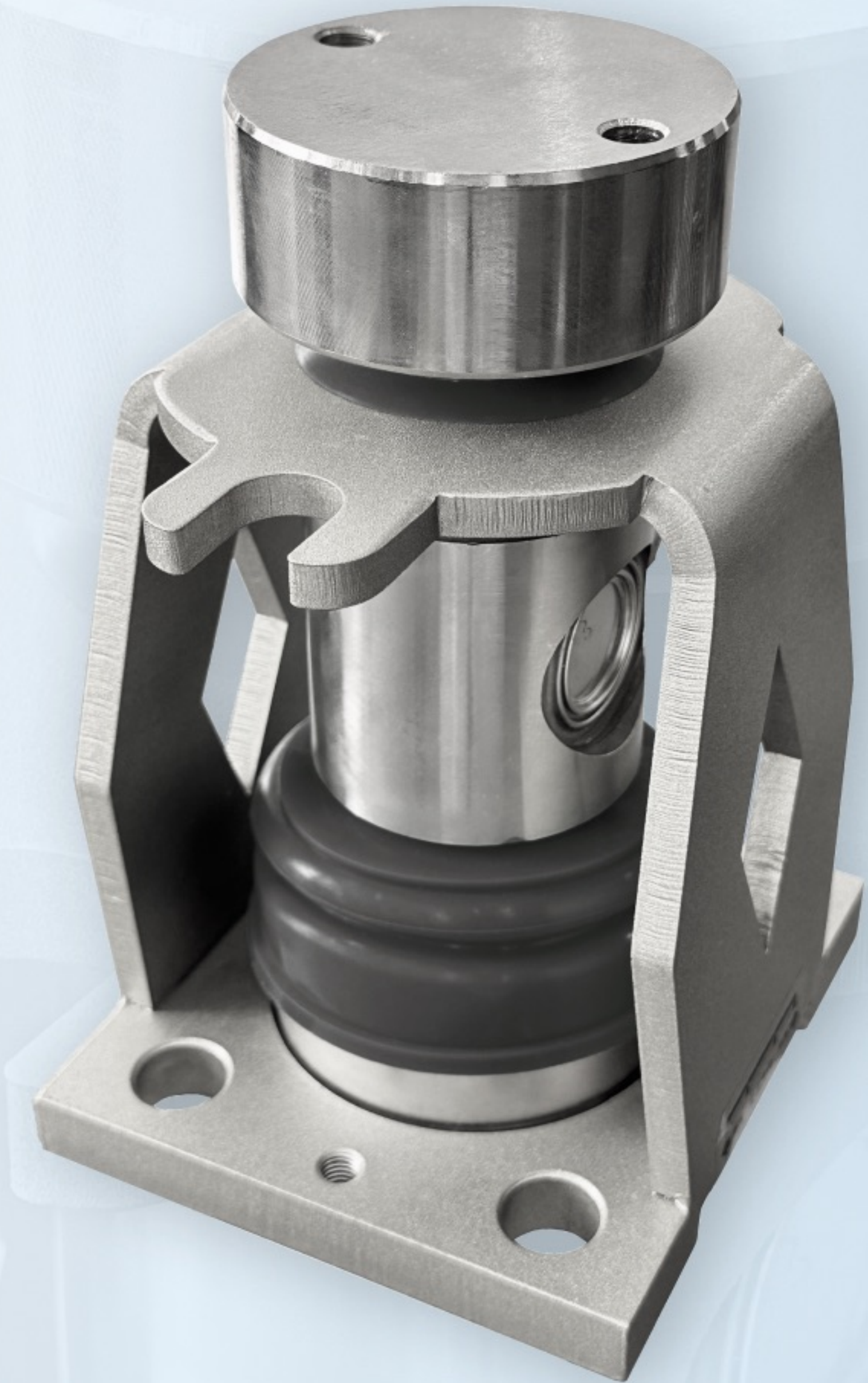




AIEN Electronics Factory

Introducing

IN-ZS model



2

AIEN production area covers 5000 sq.m, running one-step production line from machining, R&D, to production. AIEN has more than 100 staff, including more than 20 management and engineers. One of the biggest manufacture of load cells in China. AIEN focus on the investment to R&D, production and quality system «**Customer first, quality foremost**»

Production Area:

5000 m²

Staff:

100+

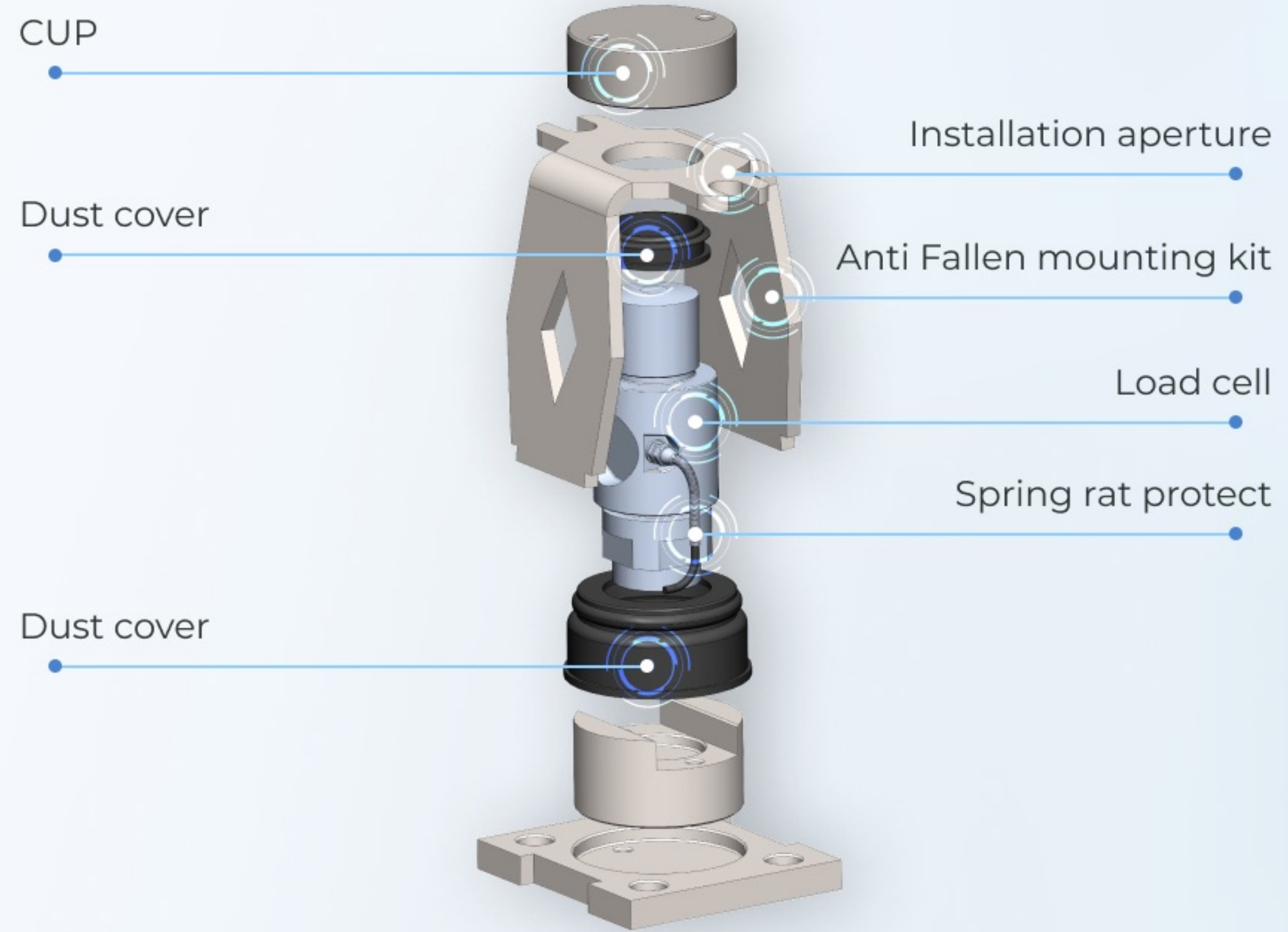
Management & Engineers

20+



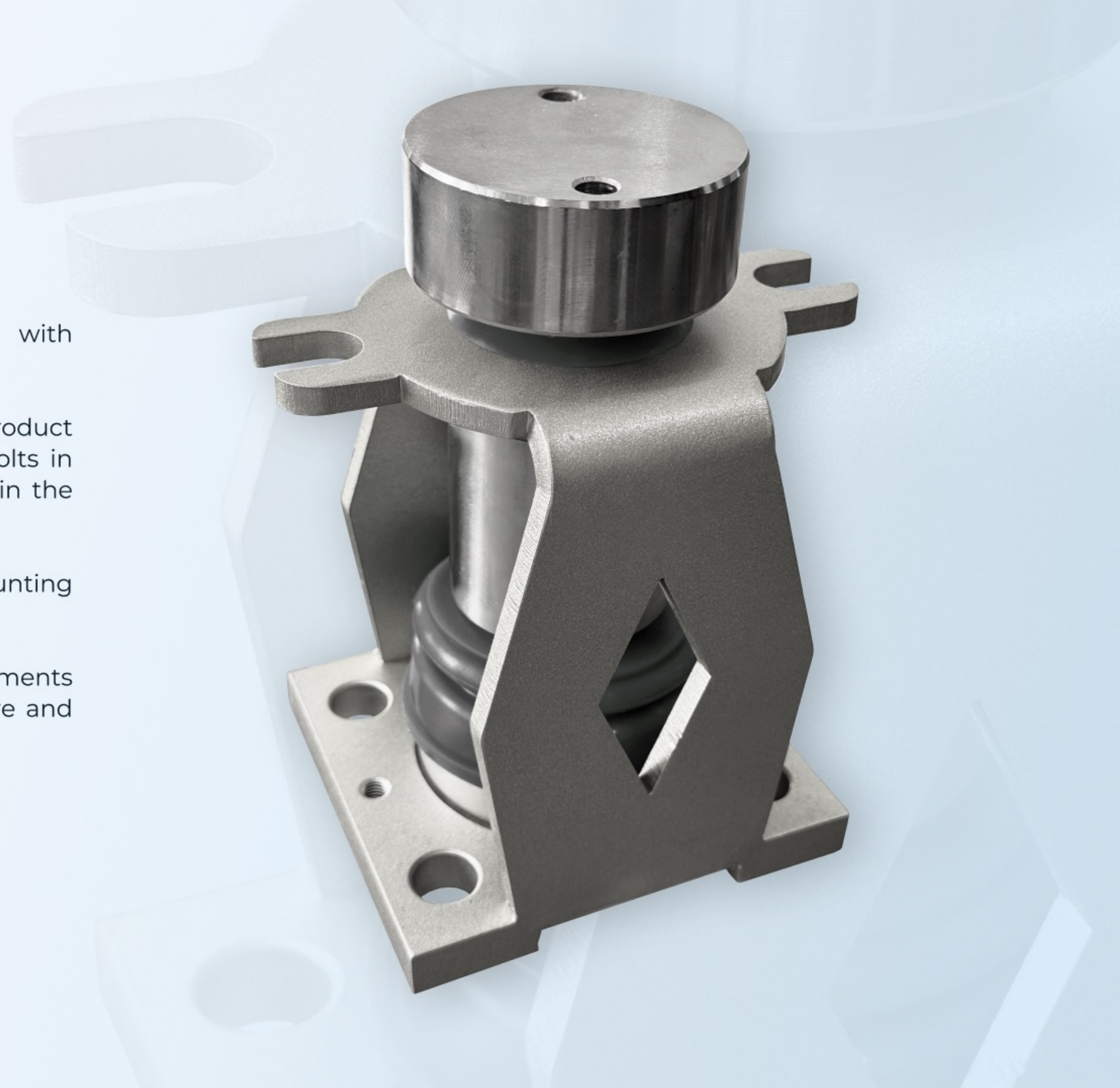
3

DESIGN

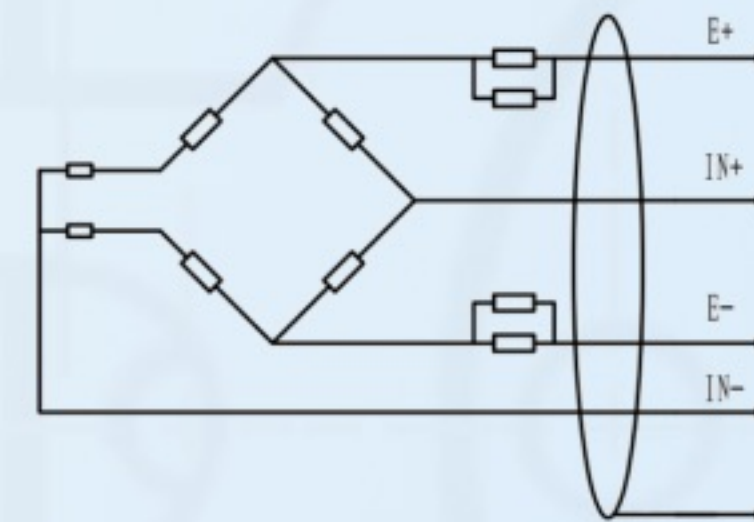
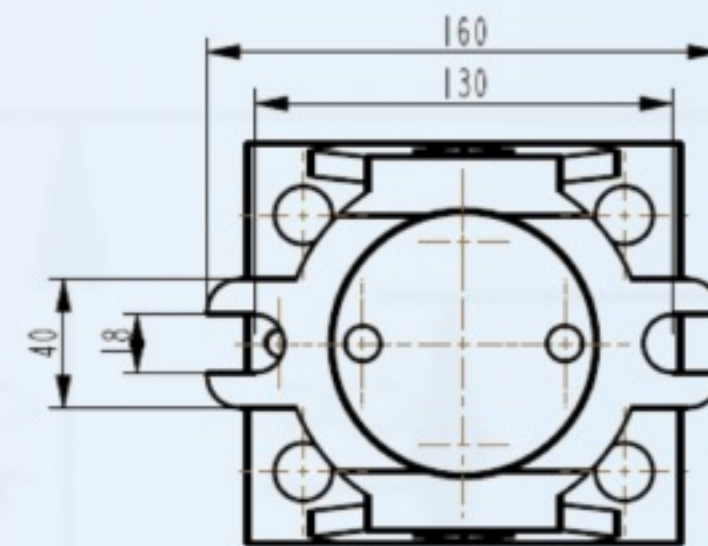
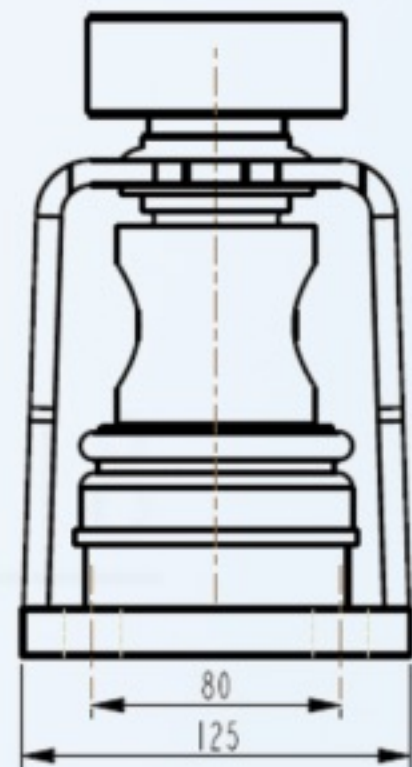
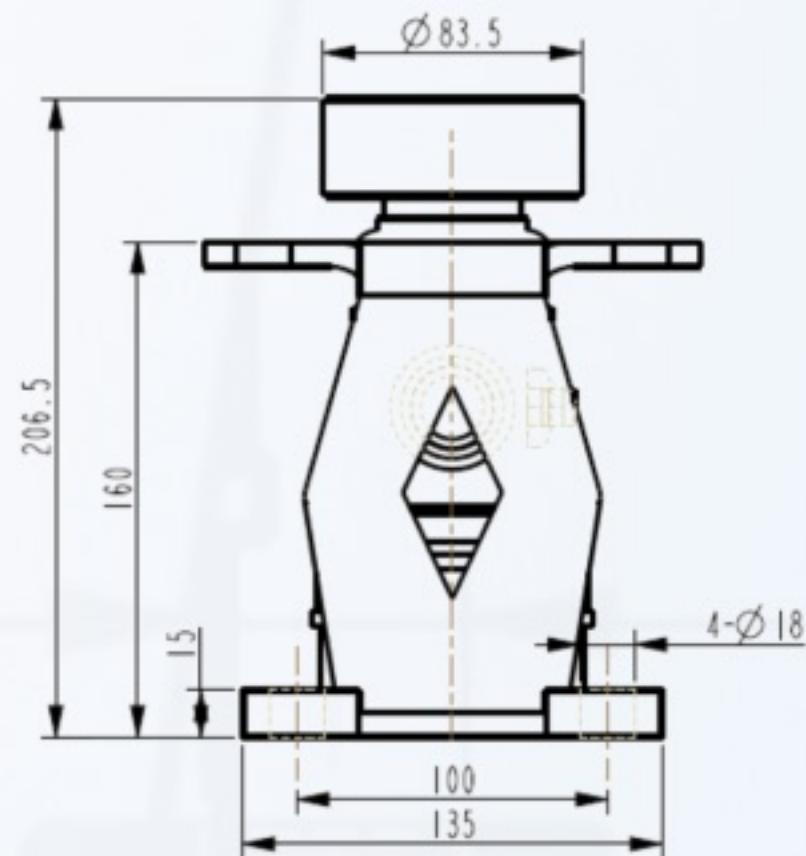


4 ADVANTAGES

-  Special anti-rotatable mounting accessories with reliable U- construction
-  Save installation time with new construction. Product can be fixed with the platform through fixing bolts in the factory. There is no need for position locate in the field
-  Always in safety – U-construction of mounting accessories protect load cell from impact
-  Considered for all customers installation requirements which is suitable for all current platform structure and position limitation

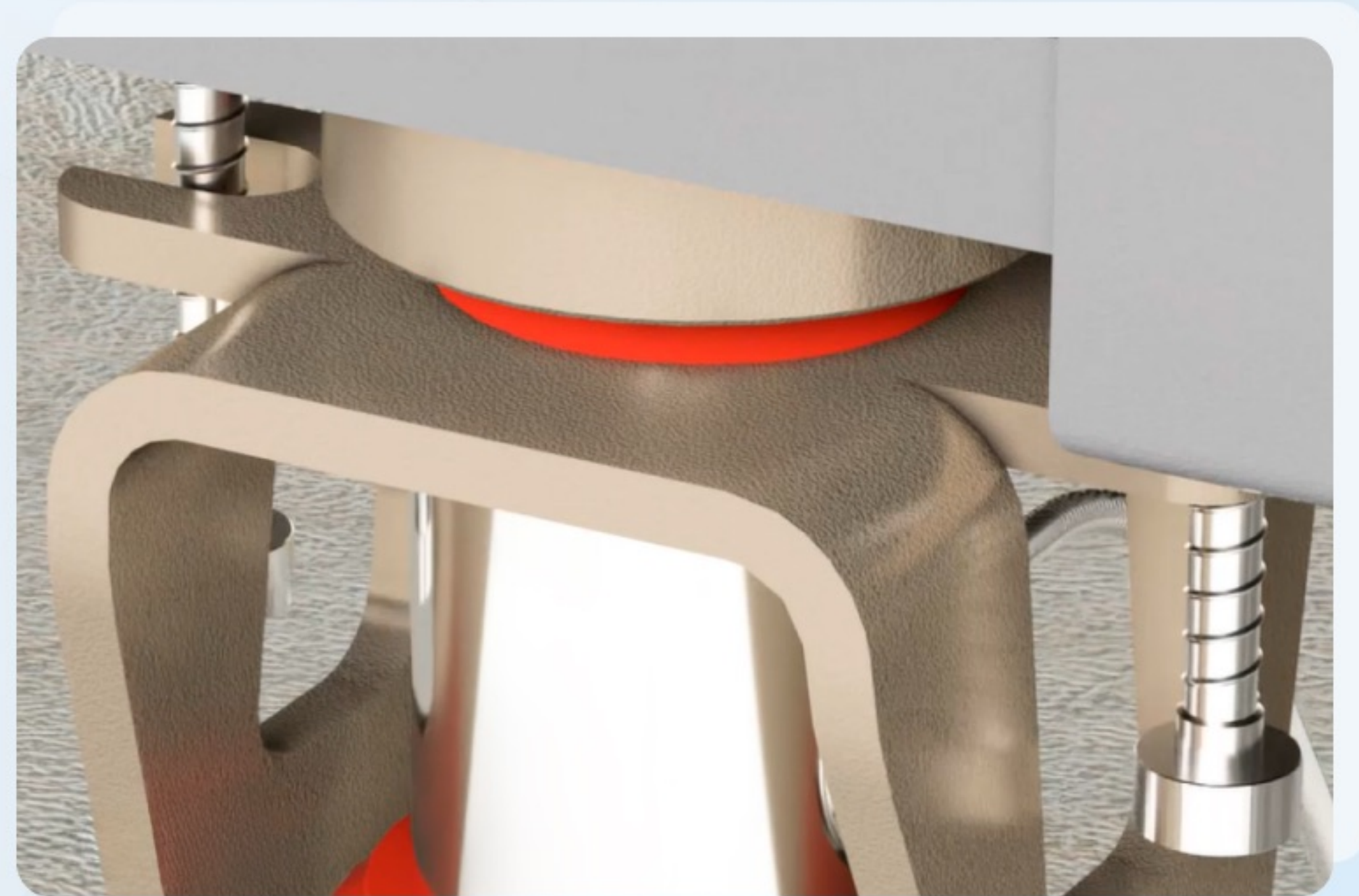
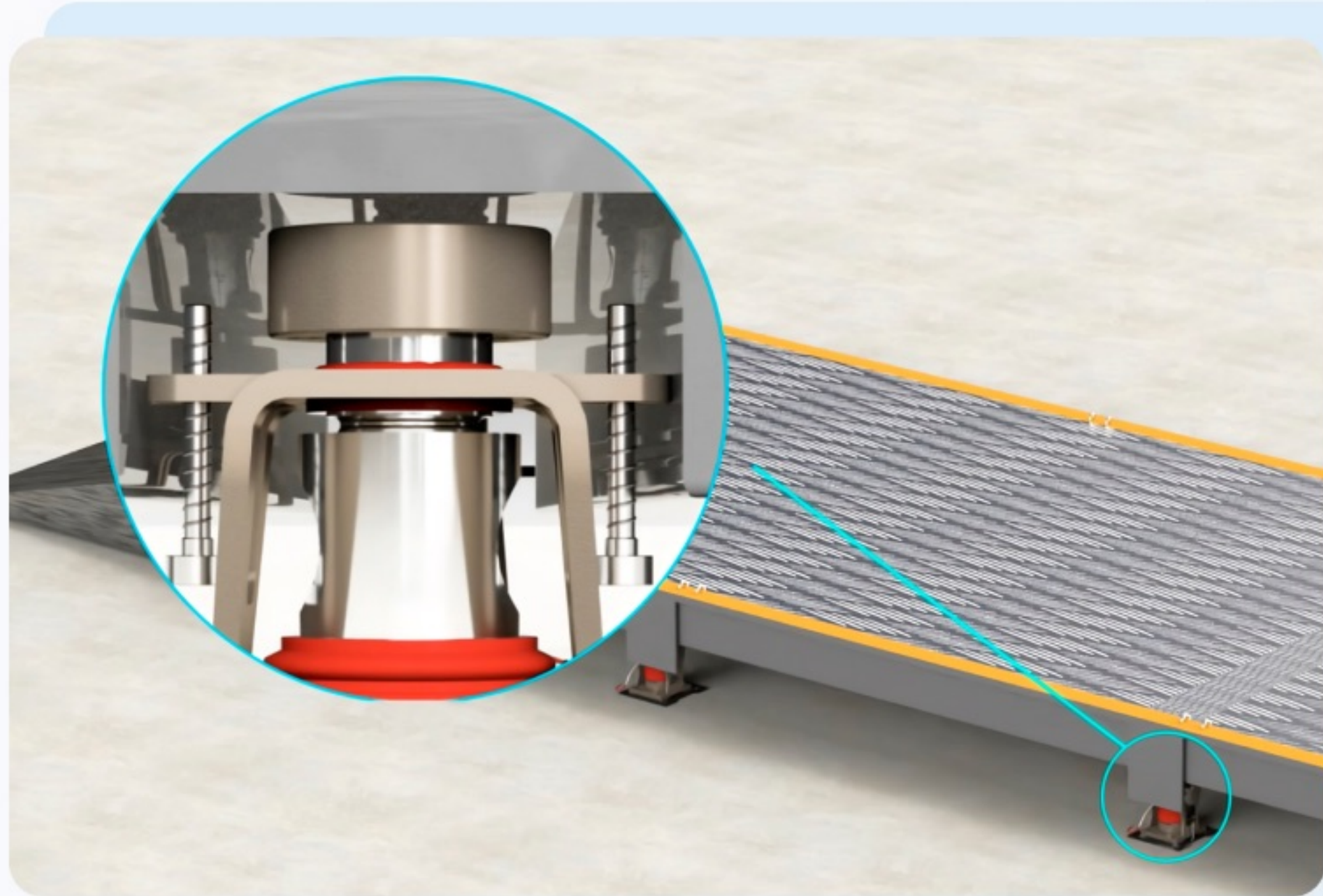


Maximum capacity (E _{max})	30/40t	Insulation resistance	≥5000 (50VDC) MΩ
Output sensitivity	2±0.002mV/V	Compensated temperature	-10 to +40°C
Accuracy class	C3	Operating temperature	-35 to +65°C
Combined error	0.02 % F.S	Excitation, recommended voltage	5 to 12V (DC)
Repeat	0.02 % F.S	Excitation maximum	18V (DC)
Creep error	±0.025 % F.S	Safe overload	150 % F.S
Temp effect on zero balance	±0.02 % F.S/10°C	Ultimate overload	200 % F.S
Temp effect on sensitivity	±0.02 % F.S/10°C	Element Material	Alloy steel
Zero balance	±1.0 % F.S	Surface treatment	Nickel plated
Input resistance	700±10Ω	Ingress Protection	IP68
Output resistance	701±5Ω	Weight without package	8.4kg



6

INSTALLATION



Positive Installation mode

The load cell installed on the scale in advance by bolts. After installing on the site by crane, remove the installation bolts. It is mainly for one time installation and easy maintenance and replacement purpose.

7 APPLICATION

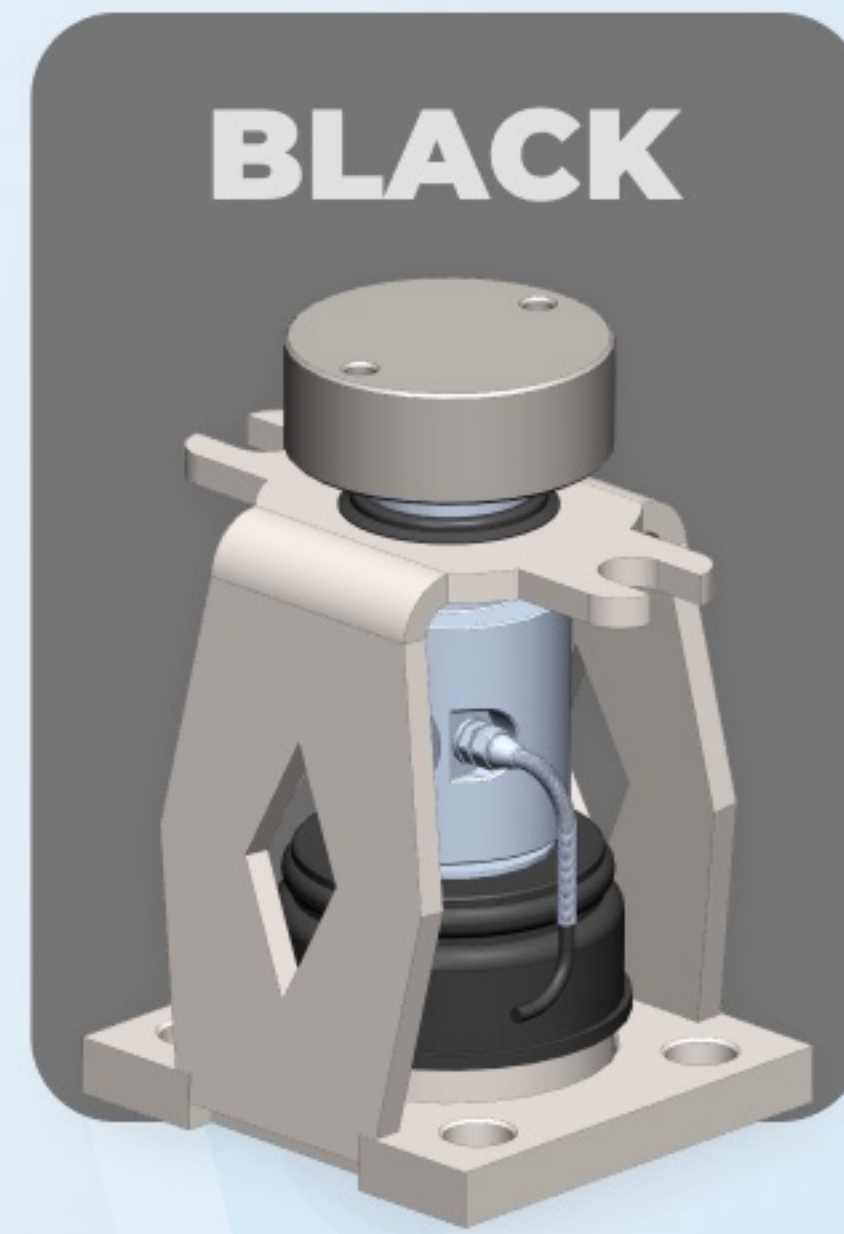
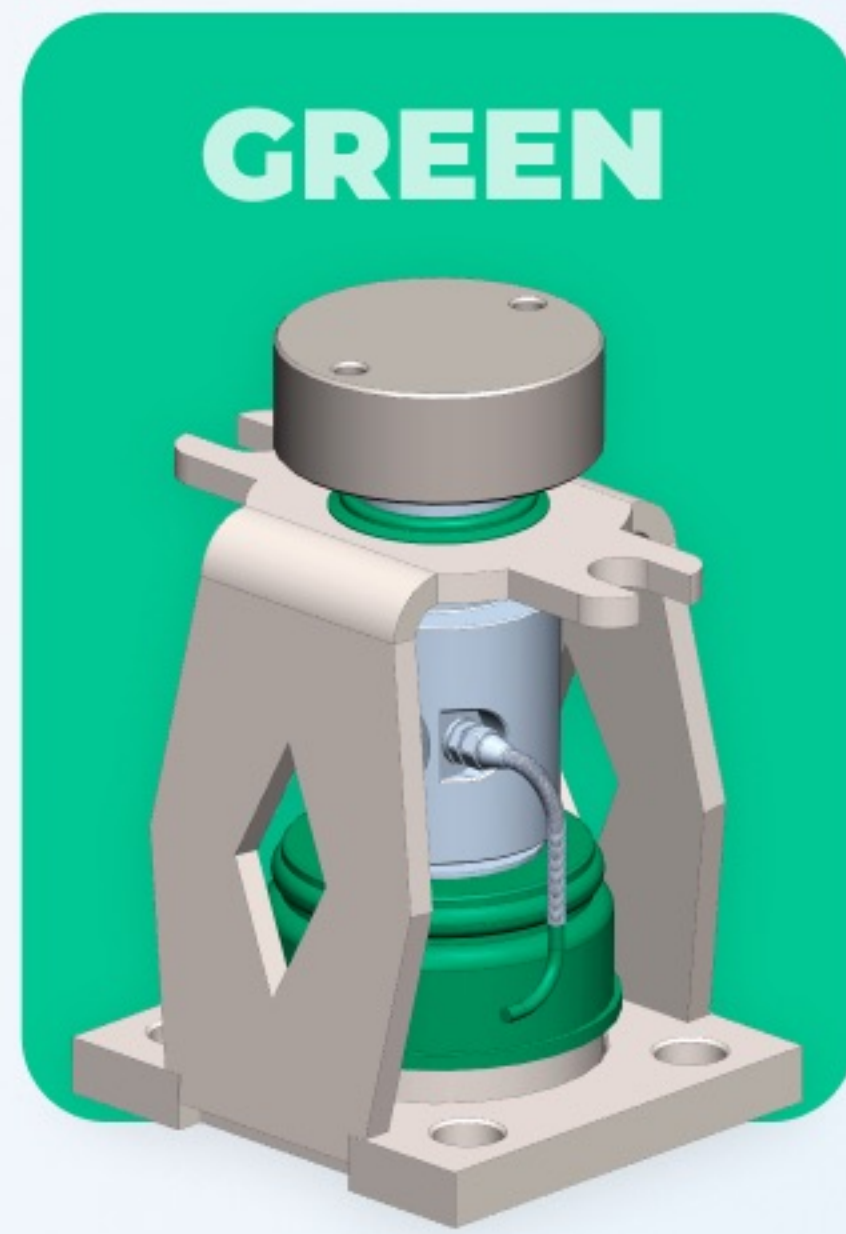


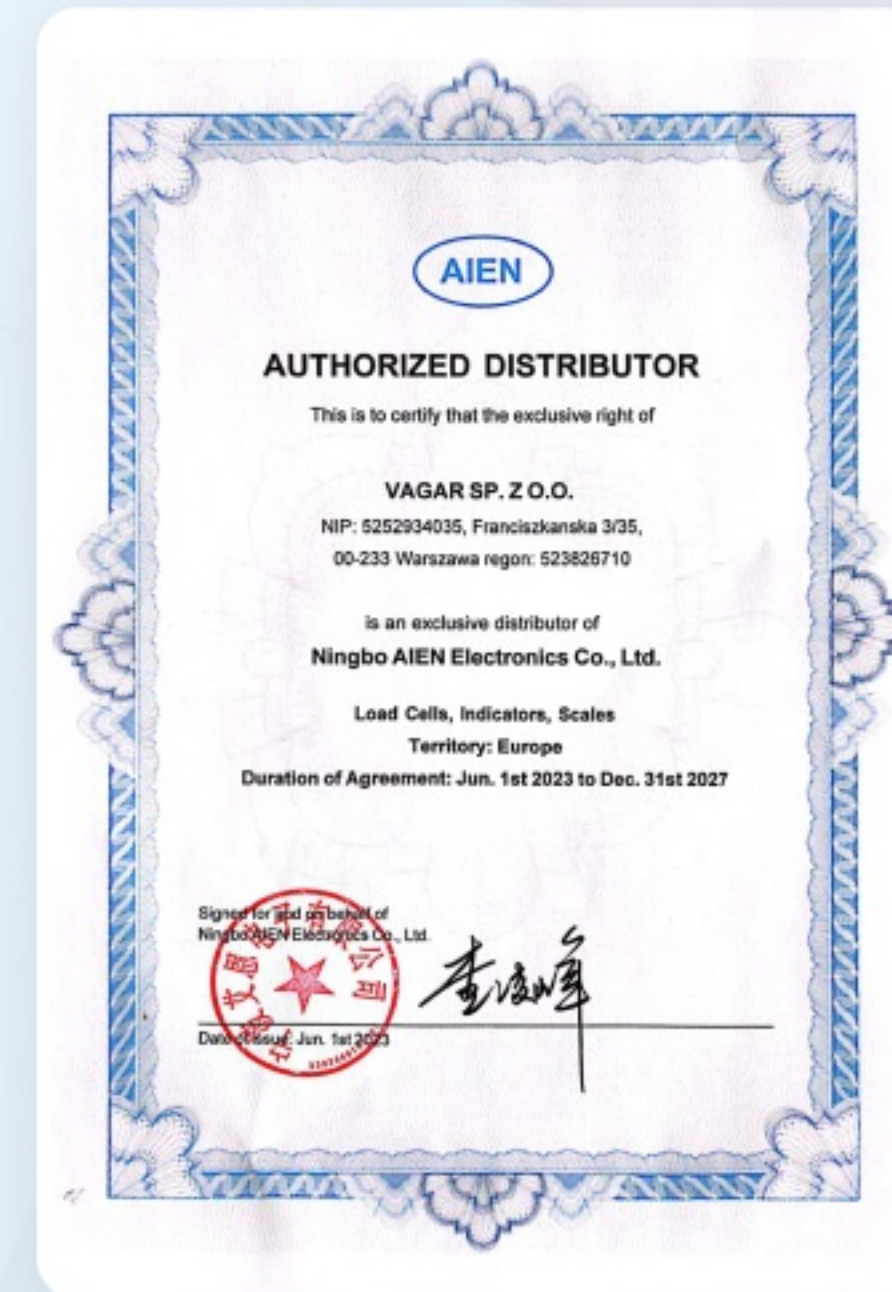
Switch double share beam load cell. By adding IN-ZS cup under the original cup



CUSTOMIZATION

The color of the sensor's rubber and the cable can be customized according to the customer's preferences.





Patents



AIEN has passed ISO9001-2008 quality management system certification, explosion-proof certification for load cell, application qualification for weighing load limiter below 360 tons, certification from International Organization for Legal Metrology(OIML), CE and RoHS certification for indicator.

AIEN engineers have developed and patented the load cell, which the Patent document confirms




Competitive
pricing



Unique
construction



Easy
installation



Hot-switch
capability



Customization
possibility



High
Quality

11 BENEFITS YOU RECEIVE

Choose a preferred
payment term



Additional set
of dust covers



Connect your scales to
the indicator - **30** meters
of cable as a gift



Urgent shipment
with no charge



WHAT ARE WE LOOKING FOR?



We would like to establish strong cooperation with qualified partners to achieve success together!

Petro Syniehub

Founder

Exclusive representative AIEN in Europe: VAGAR SP. Z O.O.,
Franciszkańska 3/35, 00-233 Warszawa region



sv@aieneurope.com

Slava Shypin
CEO AIEN EUROPE

+48 608 498 993 



sps@vagar.pl

Petro Syniehub
Owner AIEN EUROPE

+380504786584 



sv@aieneurope.com

aieneurope.com

+48 222 304 536